

# Pneumatic Vibration Isolation System

**1VIS10**

- Vertical resonance frequency: 1.5 Hz (average load)
- Horizontal resonance frequency: 1.7 Hz (average load)
- Air source pressure: up to 600 KPa (6 bar) (87 PSI)



1VIS10

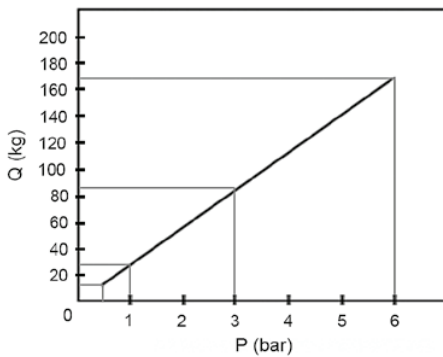
**Pneumatic Vibration Isolation System 1VIS10** is an ideal foundation for equipment which is sensitive to vibration, e.g. microscopes, scales, interferometers, and similar devices.

Work surface of the table is separated from the floor by means of a highly effective system of pneumatic supports.

The system features solid and light supports that come in various dimensions to support a wide range of table top sizes. This enables quick creation of vibration isolation systems for a variety of tasks.

Maximum load capacity of each support leg is 168 kg.

Working pressure of the system is 0.5–6 atm (bar). Required minimum system pressure required to support a certain load in kg is shown in the load/pressure diagram.

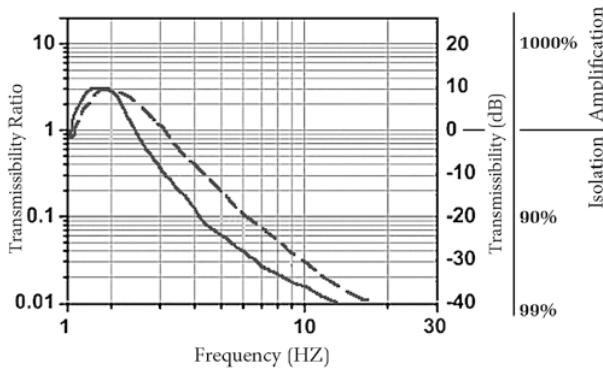


P - required minimal pressure in atm (bar).  
Q - load per support leg (kg).

Load/Pressure diagram

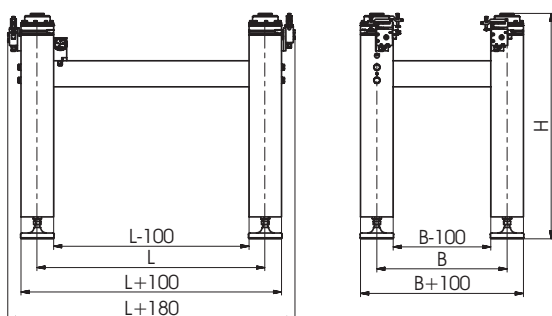
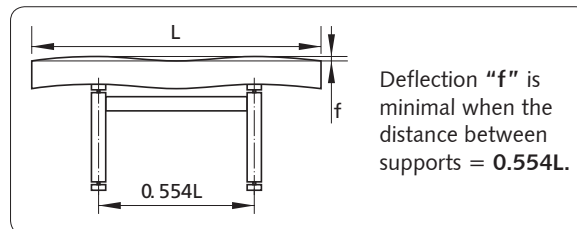
## SPECIFICATIONS

Height of the vibration isolation system	600, 700 mm
Vertical movement range	14 mm
Precision of automatic level control	±0.3 mm
Vertical resonance frequency	1.5 Hz (average load)
Vertical isolation at 5 Hz	85–93%
Vertical isolation at 10 Hz	90–98%
Horizontal resonance frequency	1.7 Hz (average load)
Horizontal isolation at 5 Hz	85–93%
Horizontal isolation at 10 Hz	90–97%
Pressure from source of air	600 KPa (6 bar) (87 PSI)
Air supply socket diameter	Ø 6 mm
Operating humidity (max)	90%
Operating temperature range	10–50 °C
Minimum load capacity	15 kg per isolator
Load-bearing capacity (at 6 bar)	168 kg per isolator



Vibration / Isolation performance

Model	B, mm	L, mm	H, mm
1VIS10-05-07-60	500	700	600
1VIS10-05-07-70	500	700	700
1VIS10-05-12-60	500	1200	600
1VIS10-05-12-70	500	1200	700
1VIS10-065-12-60	650	1200	600
1VIS10-065-12-70	650	1200	700
1VIS10-08-12-60	800	1200	600
1VIS10-08-12-70	800	1200	700
1VIS10-065-18-60	650	1800	600
1VIS10-065-18-70	650	1800	700



e-mail: sales@standa.lt

www.standa.lt

Phone: +370-5-2651474

Fax: +370-5-2651483

**standa**